



■ Features

- Universal AC input / Full range (up to 305VAC)
- Built-in active PFC function
- High efficiency up to 94%
- Fanless design, cooling by free air convection
- -55~+70°C wide operating range
- Aluminum case and filling with heat-conducted silicone
- IP65 design, optional IP68 rated model available
- Meet 6KV surge immunity level
- Withstand 10G vibration test
- Protections: Short circuit / Overload / Over voltage / Over temperature
- Operating altitude up to 5000 meters (Note.9)
- 6 years warranty

■ Applications

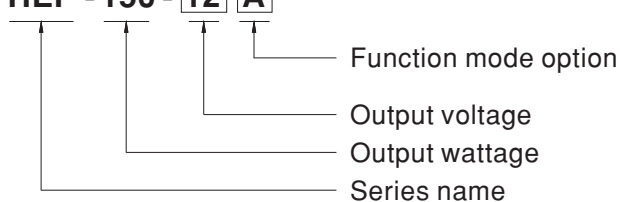
- Outdoor telecommunication equipment
- Outdoor electronic signage and billboard
- Petroleum plant or mine shaft facility

■ Description

HEP-150 is a 150W industrial AC/DC power supply featuring the outstanding capability to operate under highly humid, dusty, oily, and high-vibration harsh environment. The entire series is housed with the aluminum case and fully potted with heat-conducted silicone. Thanks to state-of-the-art design, the working efficiency is up to 94%, enabling HEP-150 perfectly work between -55°C and +70°C under free air convection.

■ Model Encoding

HEP - 150 - 12 A



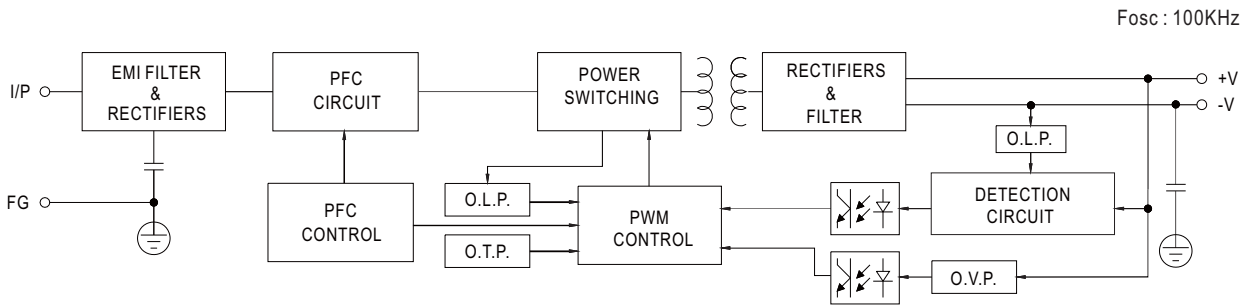
{ A : Standard model, IP65, Vo and Io level can be adjusted through internal potentiometer.
 Blank : Optional model, IP68, with fixed Vo and Io level.



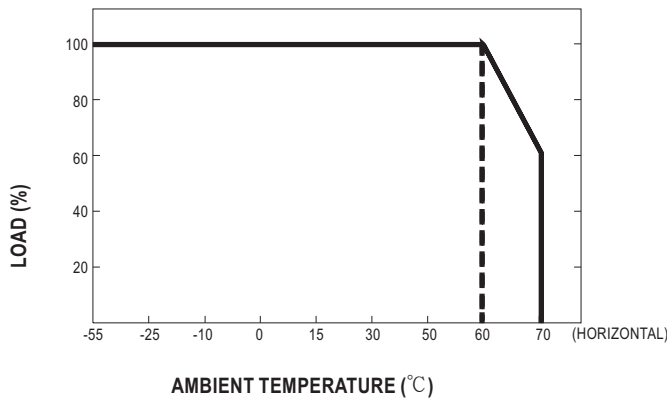
SPECIFICATION

| MODEL | | HEP-150-12□ | HEP-150-15□ | HEP-150-24□ | HEP-150-36□ | HEP-150-48□ | HEP-150-54□ |
|---------------------|--|--|----------------|---------------|-------------|-------------|-------------|
| OUTPUT | DC VOLTAGE | 12V | 15V | 24V | 36V | 48V | 54V |
| | RATED CURRENT | 12.5A | 10A | 6.3A | 4.2A | 3.2A | 2.8A |
| | RATED POWER | 150W | 150W | 151.2W | 151.2W | 153.6W | 151.2W |
| | RIPPLE & NOISE (max.) Note.2 | 150mVp-p | 150mVp-p | 150mVp-p | 200mVp-p | 200mVp-p | 200mVp-p |
| | VOLTAGE ADJ. RANGE Note.5 | 10.8 ~ 13.5V | 13.5 ~ 17V | 22 ~ 27V | 33 ~ 40V | 43 ~ 53V | 49 ~ 58V |
| | CURRENT ADJ. RANGE | Can be adjusted by internal potentiometer for A type only | | | | | |
| | | 7.5 ~ 12.5A | 6 ~ 10A | 3.8 ~ 6.3A | 2.5 ~ 4.2A | 1.92 ~ 3.2A | 1.68 ~ 2.8A |
| | VOLTAGE TOLERANCE Note.3 | ±2.5% | ±2.0% | ±1.0% | ±1.0% | ±1.0% | ±1.0% |
| | LINE REGULATION | ±0.5% | ±0.5% | ±0.5% | ±0.5% | ±0.5% | ±0.5% |
| | LOAD REGULATION | ±2.0% | ±1.5% | ±0.5% | ±0.5% | ±0.5% | ±0.5% |
| | SETUP, RISE TIME Note.7 | 1000ms,50ms/115VAC 500ms,50ms/230VAC at full load | | | | | |
| HOLD UP TIME (Typ.) | 16ms at full load 230VAC /115VAC | | | | | | |
| INPUT | VOLTAGE RANGE Note.4 | 90 ~ 305VAC 127 ~ 431VDC | | | | | |
| | FREQUENCY RANGE | 47 ~ 63Hz | | | | | |
| | POWER FACTOR (Typ.) | PF>0.98/115VAC, PF>0.95/230VAC, PF>0.92/277VAC at full load | | | | | |
| | EFFICIENCY (Typ.) | 91.5% | 92% | 93% | 93.5% | 94% | 94% |
| | AC CURRENT (Typ.) | 1.7A / 115VAC | 0.75A / 230VAC | 0.7A / 277VAC | | | |
| | INRUSH CURRENT(Typ.) | COLD START 65A at 230VAC | | | | | |
| | LEAKAGE CURRENT | <0.75mA / 277VAC | | | | | |
| PROTECTION | OVERLOAD | 105 ~ 125% | | | | | |
| | | Protection type : Constant current limiting, recovers automatically after fault condition is removed | | | | | |
| | SHORT CIRCUIT | Constant current limiting, recovers automatically after fault condition is removed | | | | | |
| | OVER VOLTAGE | 14 ~ 17V | 18 ~ 21V | 28 ~ 34V | 41 ~ 46V | 54 ~ 63V | 59 ~ 65V |
| | | Protection type : Shut down o/p voltage with auto-recovery or re-power on to recovery | | | | | |
| OVER TEMPERATURE | Shut down o/p voltage, recovers automatically after temperature goes down | | | | | | |
| ENVIRONMENT | WORKING TEMP. | -55 ~ +70°C (Refer to "Derating Curve") | | | | | |
| | WORKING HUMIDITY | 20 ~ 95% RH non-condensing | | | | | |
| | STORAGE TEMP., HUMIDITY | -60 ~ +80°C, 10 ~ 95% RH | | | | | |
| | TEMP. COEFFICIENT | ±0.03%/°C (0 ~ 60°C) | | | | | |
| | VIBRATION | 20 ~ 500Hz, 10G 12min./1cycle, period for 72min. each along X, Y, Z axes | | | | | |
| SAFETY & EMC | SAFETY STANDARDS Note.6 | UL60950-1, IP65 (or IP68 for HEP-150 Blank type) approved ; design refer to TUV EN60950-1 | | | | | |
| | WITHSTAND VOLTAGE | I/P-O/P:3.75KVAC I/P-FG:2KVAC O/P-FG:1.5KVAC | | | | | |
| | ISOLATION RESISTANCE | I/P-O/P, I/P-FG, O/P-FG:100M Ohms / 500VDC / 25°C / 70% RH | | | | | |
| | EMC EMISSION | Compliance to EN55022 (CISPR22) Class B, EN61000-3-2,-3 | | | | | |
| | EMC IMMUNITY | Compliance to EN61000-4-2,3,4,5,6,8,11, EN55024, light industry level (surge 6KV), criteria A | | | | | |
| OTHERS | MTBF | 164.1K hrs min. MIL-HDBK-217F (25°C) | | | | | |
| | DIMENSION | 228*68*38.8mm (L*W*H) | | | | | |
| | PACKING | 1.15Kg; 12pcs/14.8Kg/0.8CUFT | | | | | |
| NOTE | <ol style="list-style-type: none"> All parameters NOT specially mentioned are measured at 230VAC input, rated load and 25°C of ambient temperature. Ripple & noise are measured at 20MHz of bandwidth by using a 12" twisted pair-wire terminated with a 0.1uf & 47uf parallel capacitor. Tolerance : includes set up tolerance, line regulation and load regulation. Derating may be needed under low input voltages. Please check the static characteristics for more details. A type only. Safety and EMC design refer to EN60598-1, CNS15233, GB7000.1, FCC part18. Length of set up time is measured at cold first start. Turning ON/OFF the power supply may lead to increase of the set up time. The power supply is considered as a component that will be operated in combination with final equipment. Since EMC performance will be affected by the complete installation, the final equipment manufacturers must re-qualify EMC Directive on the complete installation again. The ambient temperature derating of 3.5°C/1000m is needed for operating altitude greater than 2000m(6500ft). The water protection level test for the IP68 rating is performed 1000mm below the surface of the water for 1 month. | | | | | | |

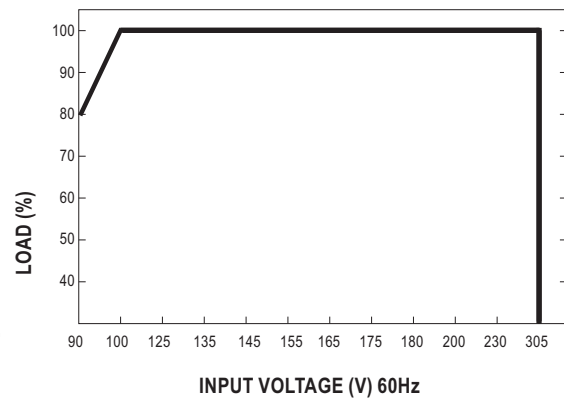
■ Block Diagram



■ Derating Curve



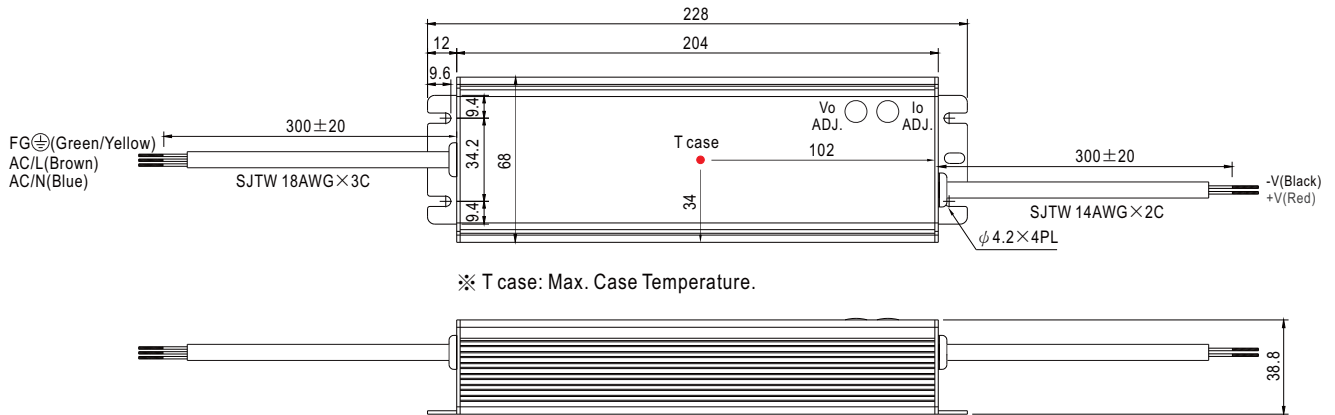
■ Static Characteristics



Mechanical Specification

Case No.994D Unit:mm

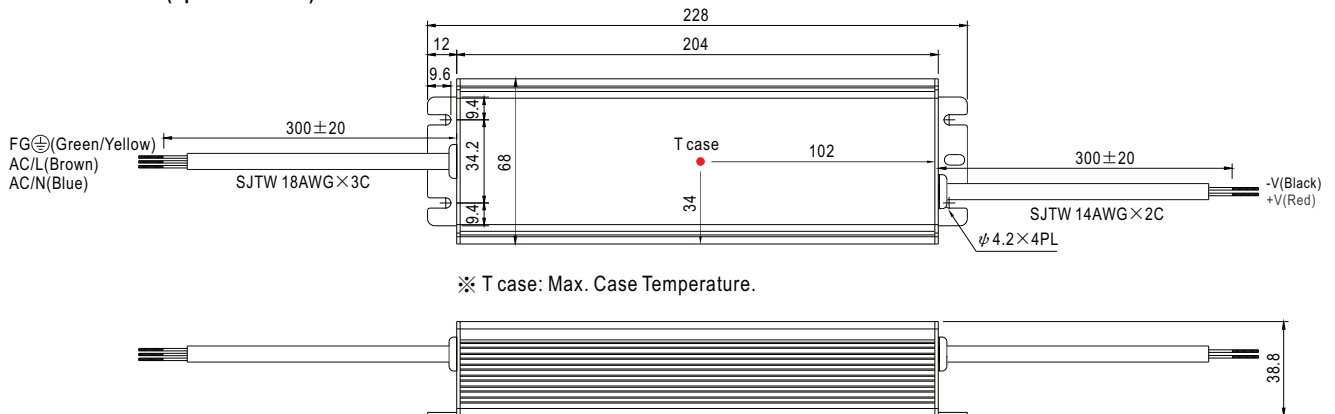
A Type: HEP-150- _A(standard model)



※ T case: Max. Case Temperature.

※ IP65 rated. Output voltage and constant current level can be adjusted through internal potentiometer.
(Can access by removing the rubber stopper on the case.)

Blank: HEP-150(optional model)



※ T case: Max. Case Temperature.

※IP68 rated. Cable for I/O connection.

Installation Manual

Please refer to : <http://www.meanwell.com/webnet/search/InstallationSearch.html>